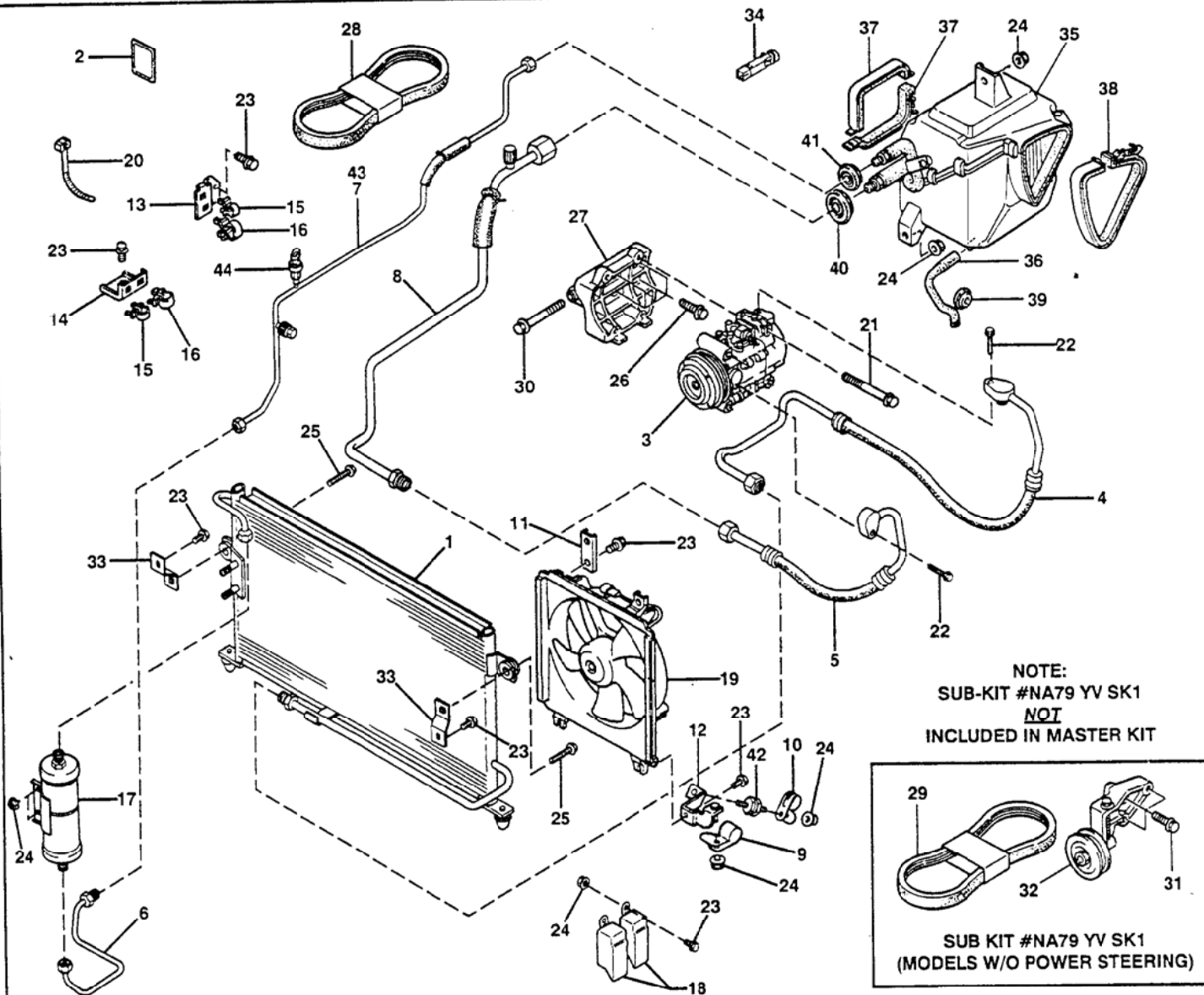


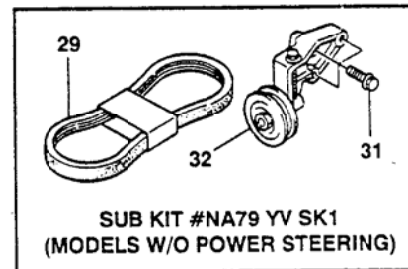
# 1999 MIATA

## KITS NC11-61-410 (MASTER KIT "A"), NA79-YV-SK1 (SUB KIT "B")



KEY#	PART NUMBER	DESCRIPTION	A	B
1	NC10 61 480A	CONDENSER	1	-
2	NA75 61 439	CAUTION LABEL	1	-
3	NA75 61 450	COMPRESSOR	1	-
4	NC10 61 461A	H-HOSE	1	-
5	NC10 61 482A	L-HOSE	1	-
6	NC10 61 484	PIPE #1	1	-
7	NC10 61 48X	PIPE #2	1	-
8	NC10 61 486	PIPE #3	1	-
9	BR78 61 46Y	CLIP ASSY.	1	-
10	NA01 61 46YC	CLIP ASSY.	1	-
11	NA01 61 4H1	BRACKET	1	-
12	NA02 61 471A	BRACKET	1	-
13	NA01 61 474	BRACKET	1	-
14	NA02 61 474A	BRACKET	1	-
15	NA02 61 478	CLIP	2	-
16	UB38 61 488A	CLIP	2	-
17	NC10 61 500A	REC./DRYER	1	-
18	H310 67 740	RELAY	2	-
19	NC10 61 710	FAN	1	-
20	NA01 61 435	TIE-WRAP	4	-
21	NA02 61 435	BAND (Europe mkt. only)	1	-
22	99784 0856	BOLT	4	-
23	99794 0646	BOLT 6mm X 46mm	2	-
24	99796 0816	BOLT 6mm X 18mm	11	-
25	99840 0693B	NUT 6mm	8	-
26	99796 0626B	BOLT 6mm X 26mm	2	-
27	99784 1026	BOLT 10mm X 26mm	4	-
28	BPE8 16 910A	COMPRESSOR BRKT.	1	-
29	BPE8 16 908A	BELT	1	-
30	BPE8 16 908	BELT	-	1
31	99784 0876	BOLT 8mm X 76mm	1	-
32	99784 1040	BOLT 10mm X 40mm	-	3
33	BP01 16 930	PULLEY	-	1
34	NC10 61 471	COND. BRACKET	2	-
35	GE4T 61 530B	A/C SWITCH	1	-
36	NC10 61 520	COOLING UNIT	1	-
37	NA01 61 528	DRAIN HOSE	1	-
38	NA01 YV 529	PLATE SEAL ASSY.	1	-
39	NA01 61 522	PLATE SEAL ASSY.	1	-
40	FB04 61 557	GROMMET	1	-
41	BF87 61 558	GROMMET (L SIDE)	1	-
42	BF87 61 559	GROMMET (H SIDE)	1	-
43	FC20 61 481	RUBBER INSULATOR	1	-
44	NC10 61 467	PIPE #2 W/O PR SWITCH	-	-
45	GD4T 61 503	PRESSURE SWITCH	-	-

NOTE:  
SUB-KIT #NA79 YV SK1  
NOT  
INCLUDED IN MASTER KIT



▲ PIPE #2 COMPONENT SERVICE PARTS MAY BE ORDERED SEPARATELY UNDER P/N'S SHOWN

\*"A" IS MASTER KIT (NC11 61 410)

"B" IS STANDARD STEERING KIT (NA79 YV SK1)